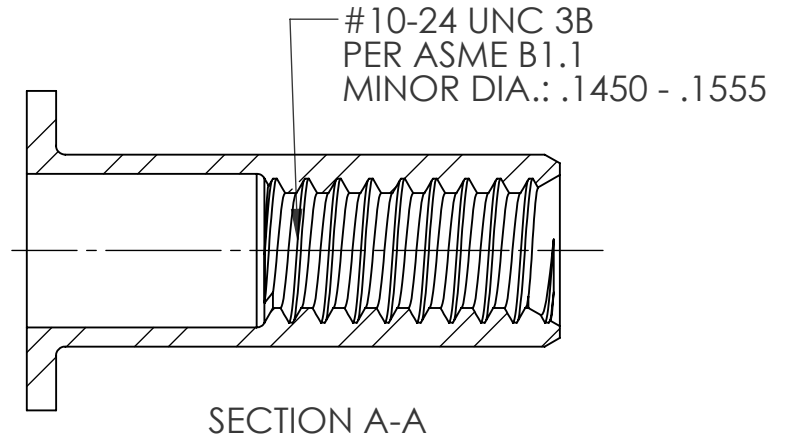
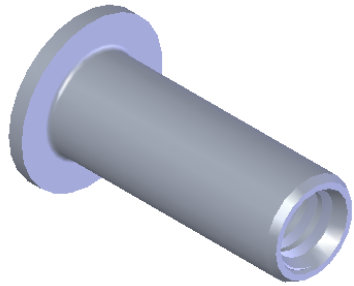
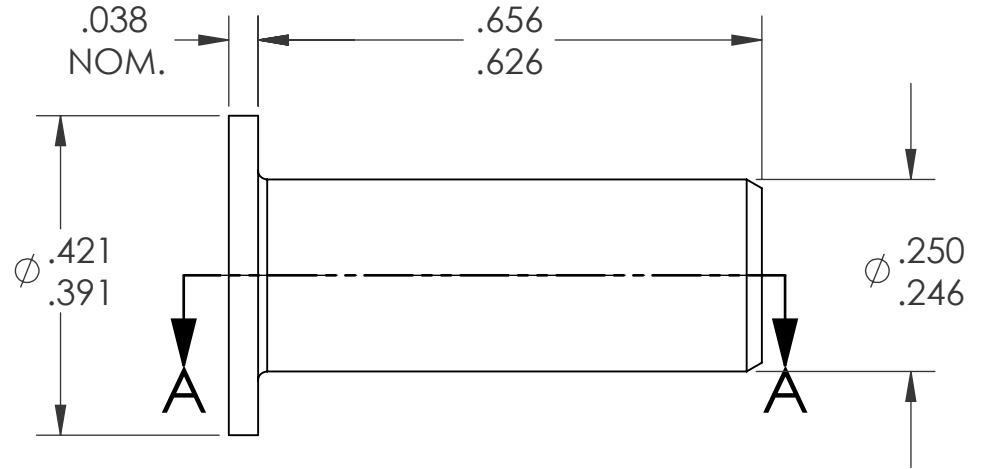
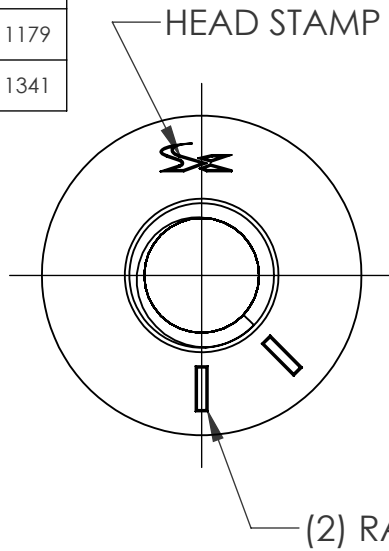


REVISIONS			
REV.	DESCRIPTION	DATE	ECN
A	INITIAL RELEASE	5/7/09	1179
B	UPDATE TO CURRENT FORMAT	7/28/10	1341



NOTE:

- GRIP RANGE: .130 - .180
- HOLE SIZE: .250 +.006/-.000 AFTER ALL APPLIED FINISHES.
- INSTALLED LENGTH: .390 REF.
- LUBRICATION: NONE
- INSTALLATION TOOL: SPIN-PULL

PROPRIETARY AND CONFIDENTIAL

THIS DRAWING, AND THE INFORMATION CONTAINED HEREIN, ARE THE PROPERTY OF SHEREX AND ARE NOT TO BE USED IN ANY MANNER DETRIMENTAL TO THE INTEREST OF THE COMPANY.
SHEREX SOLUTIONS RESERVES THE RIGHT TO REVISE PART/DRAWING WITHOUT NOTICE.

		UNLESS OTHERWISE SPECIFIED:		NAME	DATE	
		DIMENSIONS ARE IN INCHES TOLERANCES: ANGULAR: MACH ±1 BEND ±1 TWO PLACE DECIMAL ±.01 THREE PLACE DECIMAL ±.002	DRAWN	TWR	5/7/09	
		INTERPRET GEOMETRIC TOLERANCING PER: ASME Y14.5M-1994	CHECKED			
		MATERIAL	ENG APPR.	JVK	5/7/09	
		430 STAINLESS	MFG APPR.			
		FINISH	Q.A.	JVK	5/7/09	TITLE:
		PASSIVATE	COMMENTS:			FLAT HEAD OPEN END
NEXT ASSY	USED ON		E-mail: info@sherex.com www.sherex.com Phone: 866-474-3739 Fax: 716-875-0358			SIZE DWG. NO.
		APPLICATION				A CA-1024SS-180
		DO NOT SCALE DRAWING				REV
						B
				SCALE: 2:1	WEIGHT: kg	SHEET 1 OF 1